

The R1 RDK User Manual

High Performance Display Controller with 0.5" HD or 0.55" FHD RAON LCoS Microdisplay

Description	Microdisplay Reference Development Kit User Manual
Document Number	TN19-R200-C200P551-2 Rev. A
Version	1.1
Status	Release
Date	February 7, 2019
Owner	Yang, Maverick
Approval List	Approved
Control Class	Customer Support
Group	Neo Vista
Project	The R1
Product Code	RDC200, RDP551F, RDP502H
Functional Class	System Development
Availability	Internal, External



History and Applicability

RAONTECH proprietary information. This information applies to a product under development. Its characteristics and specifications are subject to change without notice. RAONTECH assumes no obligation regarding future manufacture unless otherwise agreed to in writing. No responsibility is assumed by RAONTECH for its use; nor for any infringements of patents or other rights of third parties that may result from its use. No license is granted by implication or otherwise under any patent or patent rights of RAONTECH.

Document Version	Design Revision	Date	Revised By	Comments / Changes
1.1	REV0	Feb.7,2019	Yoo, Crystal	Format and photo updated
1.0	REV0	Jan.22,2019	Yang, Maverick	Modify for Technical Note
0.0	REV0	Jan.21,2019	Lee, Steve	Draft

Table of Contents

1 INTRODUCTION	6
ABOUT THIS GUIDE.....	6
TERMS AND ACRONYMS.....	6
2 SCOPE	7
2.1 RELATED DOCUMENTS.....	7
2.1.1 CONTROLLER IC (RDC200) DATASHEET	7
2.1.2 PANEL (RDP502H OR RDP551F) DATASHEET.....	7
2.1.3 VISTA SERIES(RAON REFERENCE SEE THROUGH OPTIC) DATASHEET	7
2.1.4 THE R1 REFERENCE DESIGN PCB.....	7
2.1.5 SW TOOL KIT	7
2.2 THE R1 RDK OVERVIEW.....	7
3 INTRODUCTION	8
3.1 THE R1 FOR RDP502H RDK	8
3.1.1 THE R1 FOR RDP502H RDK BLOCK DIAGRAM.....	8
3.1.2 THE R1 FOR RDP502H EV PCB	9
3.2 THE R1 FOR RDP551F RDK.....	10
3.2.1 THE R1 FOR RDP551F RDK BLOCK DIAGRAM	10
3.2.2 THE R1 FOR RDP551F EV PCB.....	10
3.3 VISTA SERIES OPTIC PART OVERVIEW.....	11
3.3.1 VISTA50	12
3.3.2 VISTA55	12
4 QUICK START PROCEDURE	13
4.1 START PROCEDURE.....	13
5 PRODUCT HANDLING NOTES	14
5.1 ESD PROTECTION.....	14
5.2 PANEL HANDLING	14
5.3 FPC CABLE OR FFC CABLE CONNECTION	14
6 EXHIBIT	15

List of Figures

FIGURE 1. THE R1 RDK OVERVIEW	7
FIGURE 2. THE R1 FOR RDP502H RDK BLOCK DIAGRAM.....	8
FIGURE 3. THE R1 FOR RDP502H EV PCB	9
FIGURE 4. THE R1 FOR RDP551F RDK BLOCK DIAGRAM	10
FIGURE 5. THE R1 FOR RDP551F EV PCB.....	11
FIGURE 6. ESD PROTECTION GLOVE AND HANDLING GUIDE	14
FIGURE 7. PANEL HANDLING NOTE.....	14
FIGURE 8. CABLE CONNECTION	14

List of Tables

TABLE 3.1 VISTA SERIES BASIC PERFORMANCE 12

1 Introduction

About this guide

This user manual introduces the R1 RDK and describes its key features and functions. It explains the first step to get started and shows a detailed description to connect USB power supply, HDMI video input, and other connectors.

Terms and Acronyms

Term	Definition
720P HD	720p, 720 progressive scan or non-interlaced horizontal lines high definition
1080P FHD	1080p, 1080 progressive scan or non-interlaced horizontal lines high definition
DP	Display Port
FFC	Flexible Flat Cable
FPC	Flexible Printed Circuit
I2C	Inter-Integrated Circuit
LCoS	Liquid Crystal on Silicon
LVDS	Low-Voltage Differential Signaling
MIPI	Mobile Industry Processor Interface
PCB	Printed Circuit Board
RDI	RAON Display Interface
RDK	Reference Design Kit
SPI	Serial Peripheral Interface

2 Scope

This document contains examples of both RDP551F and RDP502H panels. Technical documents mentioned below are released to users in advance who are designing their own system with RDC200 (HD or FHD controller IC) for RDP502H(0.5" HD LCoS panel) or RDP551F (0.55" FHD LCoS panel).

2.1 Related Documents

2.1.1 Controller IC (RDC200) Datasheet

2.1.2 Panel (RDP502H or RDP551F) Datasheet

2.1.3 VISTA series (RAON reference see-through optic) Datasheet

- VISTA50 : 0.5" LCoS panel(RDP502H) adopted
- VISTA55 : 0.55" LCoS panel(RDP551F) adopted

2.1.4 The R1 Reference design PCB

There are two different types of the R1 EV PCB. Each reference schematic and PCB files are noticed in the case.

- The R1 for RDP502H : the kit is only for RDP502H (0.5" HD LCoS panel)
- The R1 for RDP551F : the kit is only for RDP551F (0.55" FHD LCoS panel)

2.1.5 SW Tool kit

2.2 The R1 RDK Overview

VISTA series optic (VISTA50 or VISTA55 according to panel)

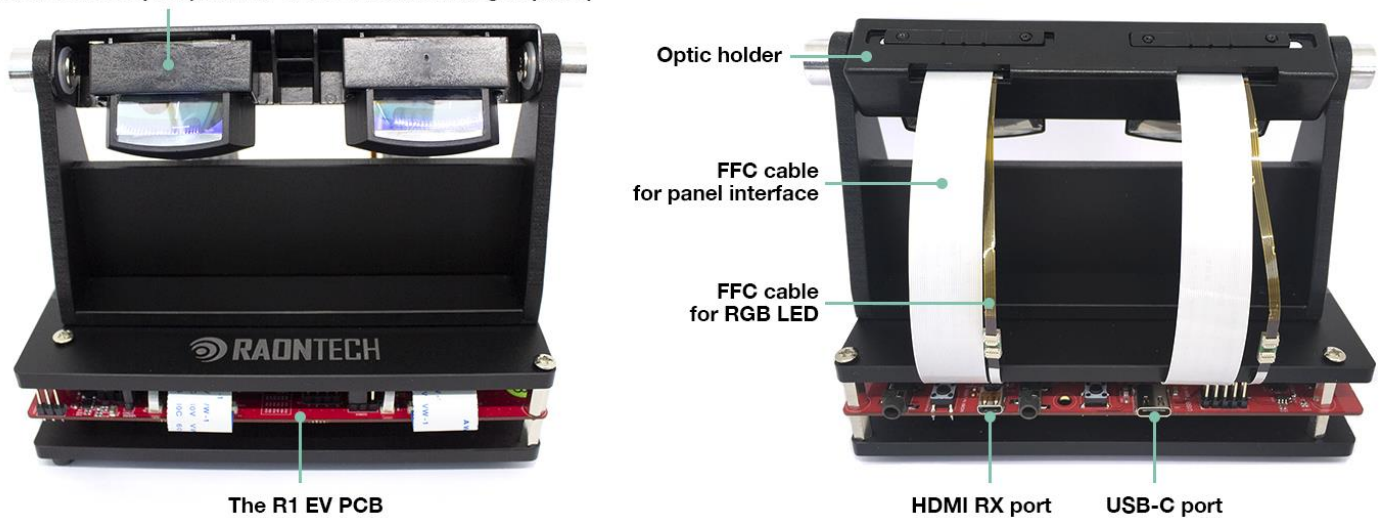


Figure 1. The R1 RDK overview

3 Introduction

3.1 The R1 for RDP502H RDK

The R1 for RDP502H RDK consists of two different part.

- The R1 EV PCB(Driver Board part) – includes the RDC200 display controller IC, USB-C (DP to MIPI) and HDMI RX IC to input general video source.

RX IC to input general video source.

- Optic part – includes RDP502HF (0.5" HD LCoS panel), BLU and see through type optic (Vista50)

3.1.1 The R1 for RDP502H RDK block diagram

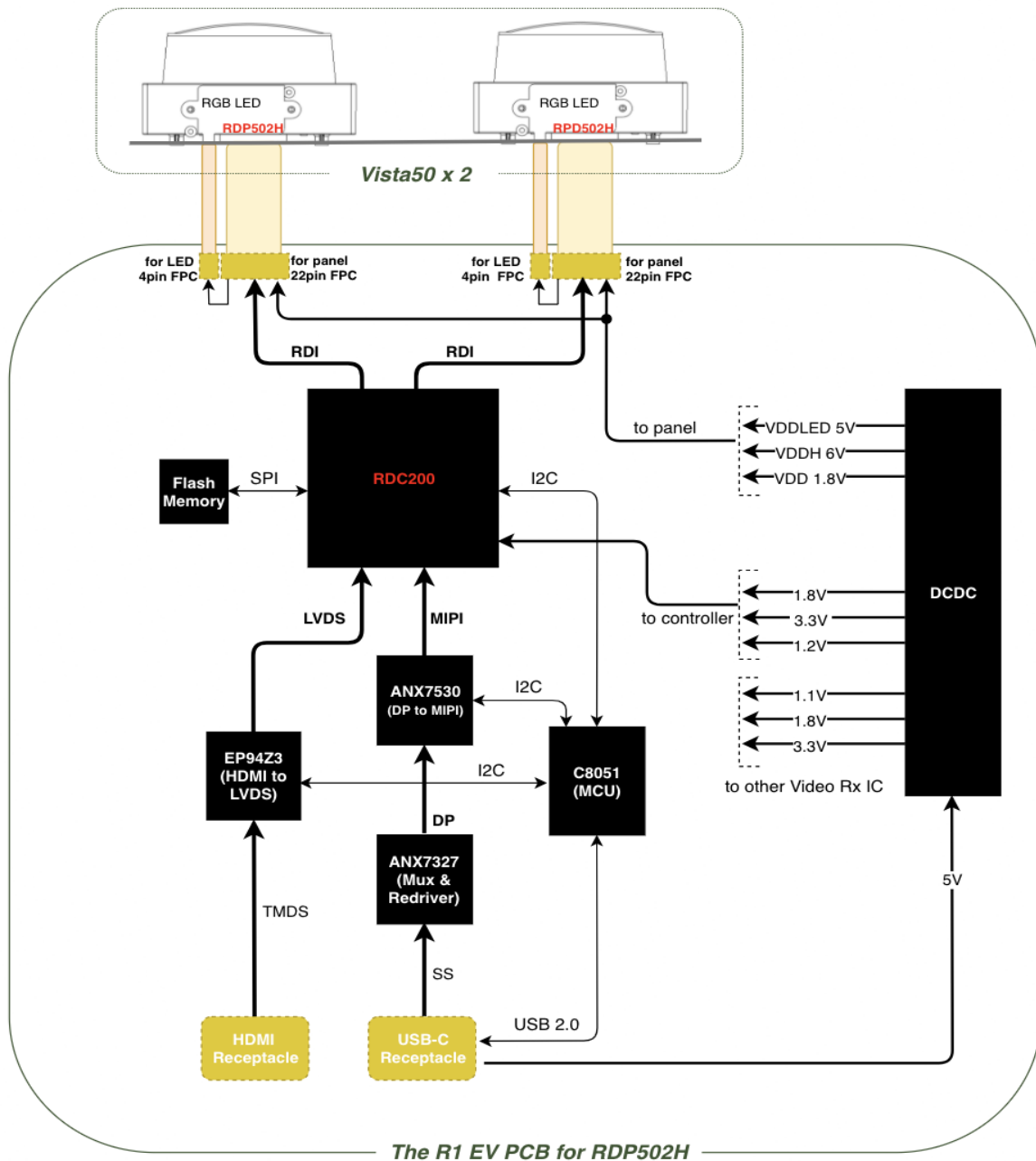


Figure 2. The R1 for RDP502H RDK block diagram

3.1.2 The R1 for RDP502H EV PCB

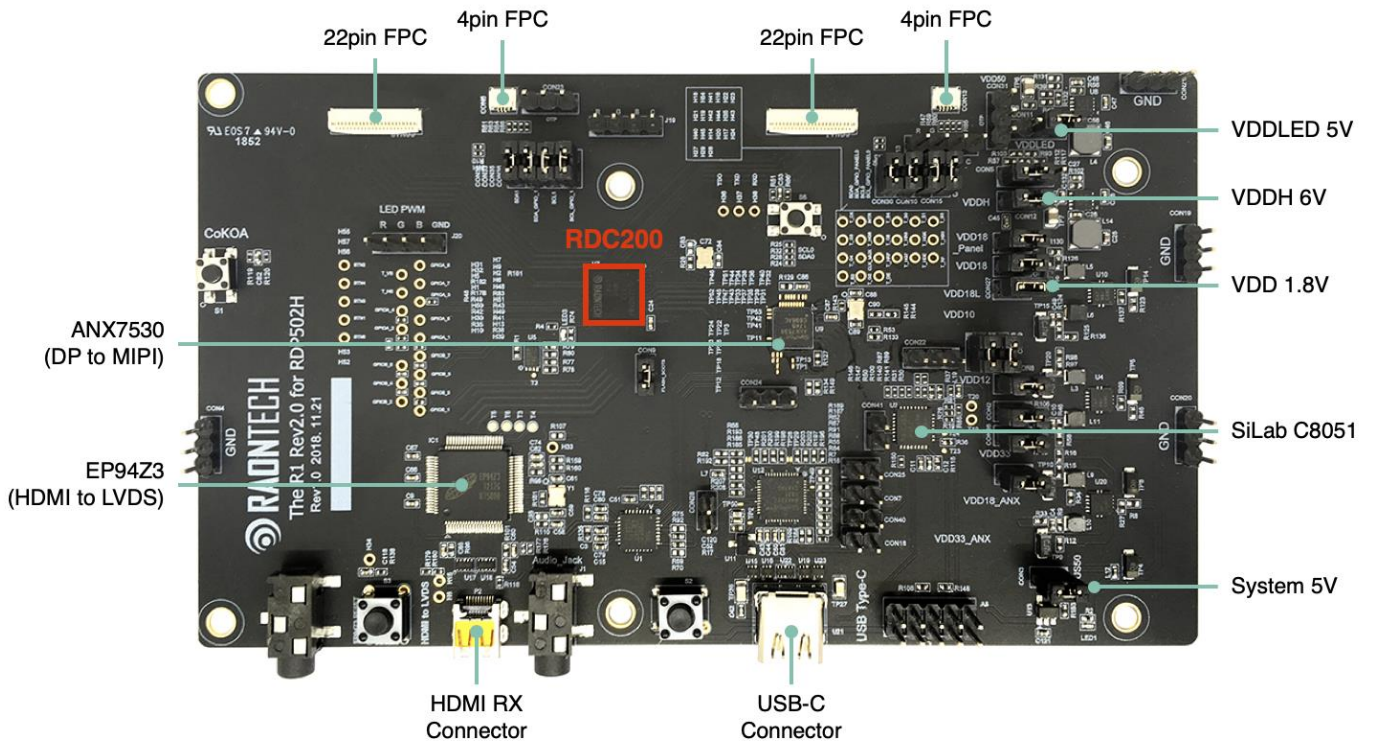


Figure 3. The R1 for RDP502H EV PCB

3.2 The R1 for RDP551F RDK

3.2.1 The R1 for RDP551F RDK block diagram

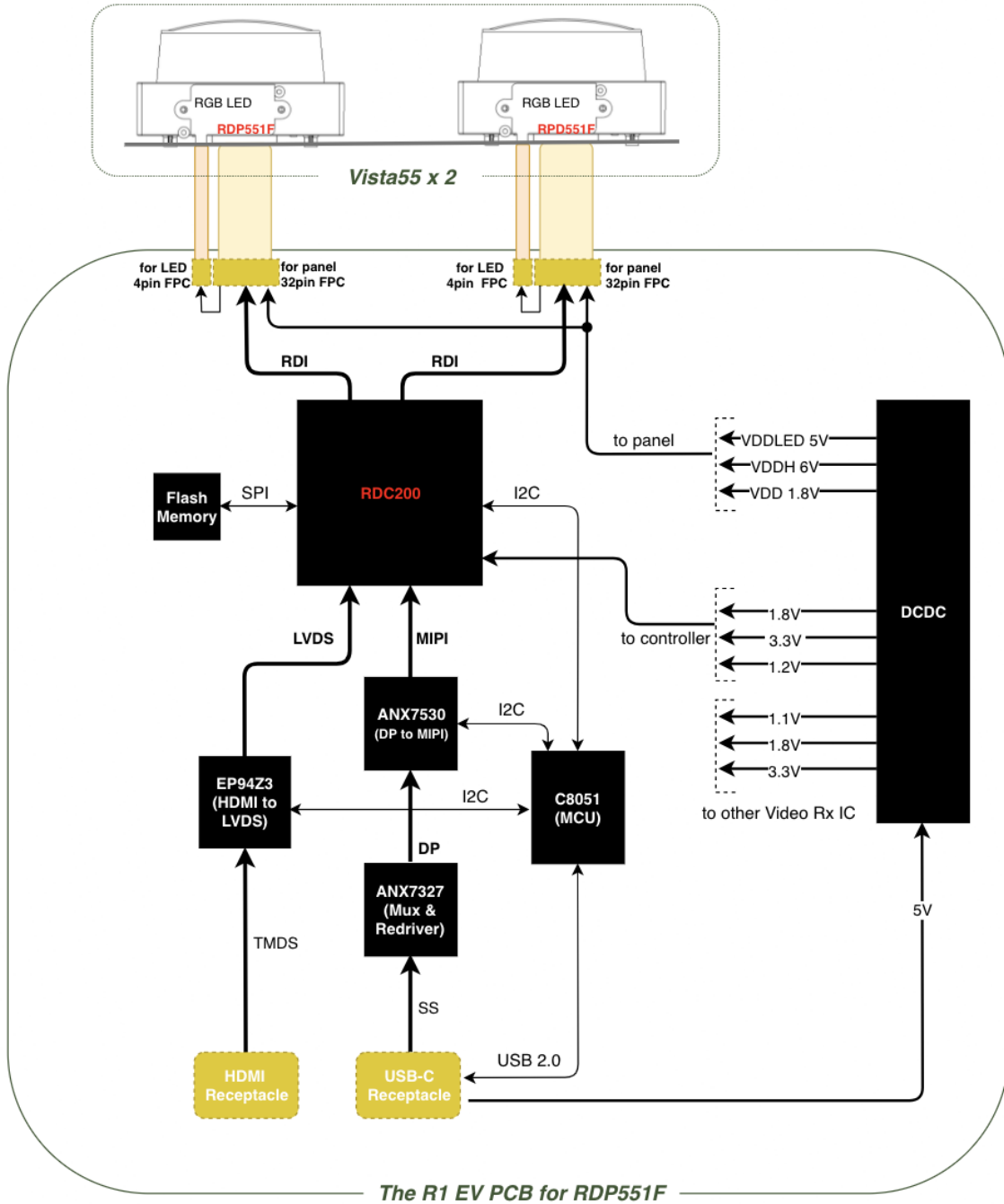


Figure 4. The R1 for RDP551F RDK block diagram

3.2.2 The R1 for RDP551F EV PCB

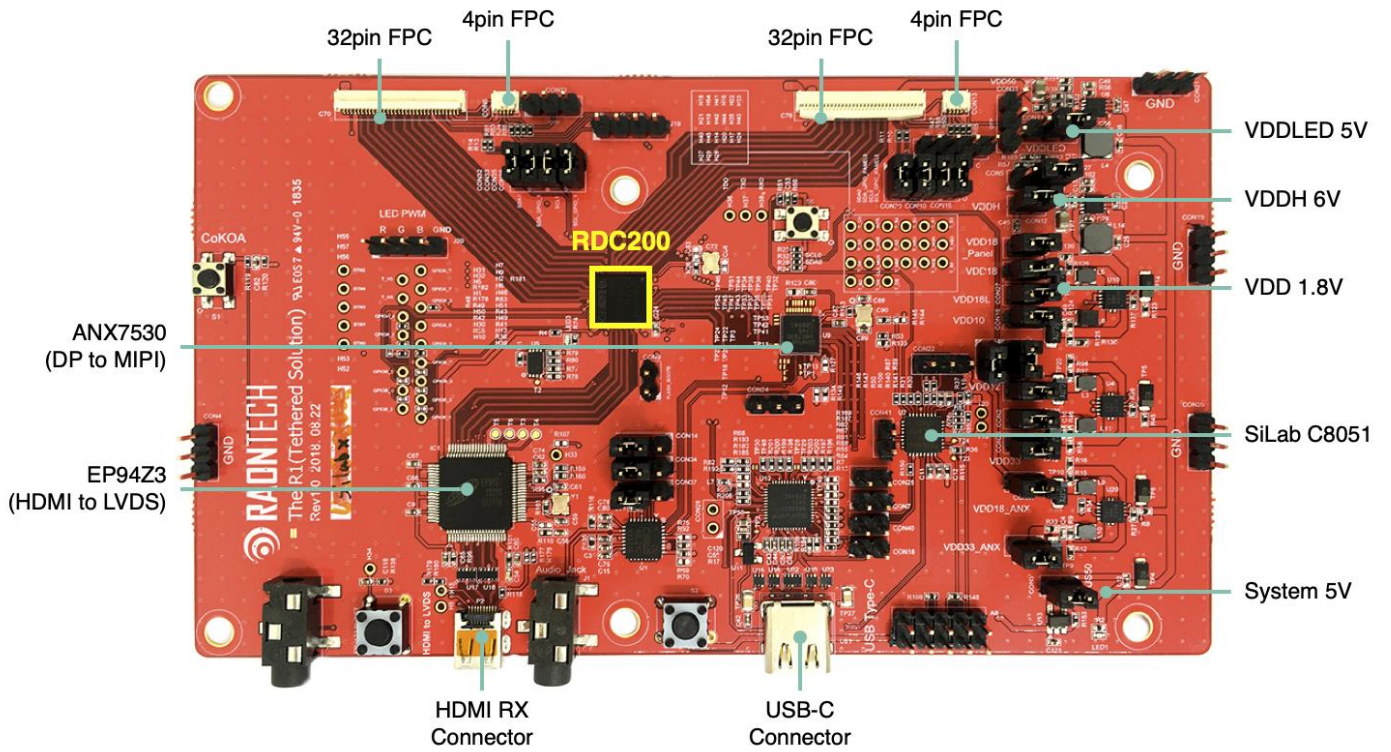


Figure 5. The R1 for RDP551F EV PCB

3.3 VISTA series optic part overview

VISTA series (see-through type optic) in the R1 EV kit has different name according to the panel size. Each optic consists of the following three components.

3.3.1 VISTA50

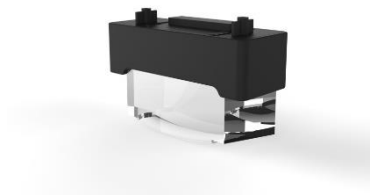
- RDP502H : 0.5" LCoS udisplay module
- VB1125LNA : BLU (Back Light Unit)
- See-through optic lens and optic case

3.3.2 VISTA55

- RDP551F : 0.55" LCoS udisplay module
- VB1125LNB : BLU (Back Light Unit)
- See-through optic lens and optic case

	VISTA50	VISTA55
Type	See-through	See-through
Panel	RDP502H	RDP551F
Resolution	1280x720	1920x1080
Eye Pupil(mm)	H7 / V4	H7 / V4
Eye Relief Distance(mm)	14	14
FOV (deg)	40°	45°
Distortion	5.0%	5.5%
Transmittance	45%	40%
Weight(Single)	17g	17g

Table 3.1 Vista series basic performance



4 Quick start procedure

4.1 Start procedure

The R1 EV kit can be simply controlled and checked on the user side.

1. Connect RAONTECH panel(s) to the R1 board RDI Tx connector by FFC or FPCB.
2. Connect RAONTECH BLU(s) to the R1 board BLU connector by FFC.
3. Plug in USB 2.0 cable through the USB-C adaptor.
(In normal operation, RAONTECH logo appears.)
4. Plug in HDMI cable with suitable Video resolution.

The running guide and SW Tool kit is on RAON web site as well.

<http://developer.raon-tech.com/index.php/vistastudio/>

5 Product handling notes

5.1 ESD protection

As the handling picture below, the user must use ESD protection gloves when handling LCoS module. RAONTECH cannot guarantee ESD damage caused by not using ESD protection gloves.



Figure 6. ESD protection glove and handling guide

5.2 Panel handling

When the user handles the panel, do not touch below picture's red box to prevent any wire-bonding pressure and reflective glass scratch. Handle only PCB area on the edges and do not bend the PCB board.

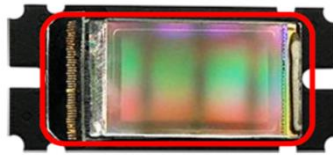
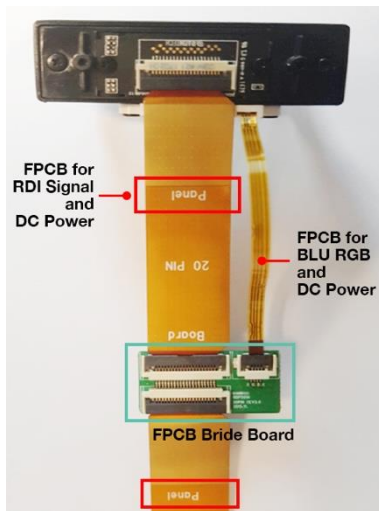


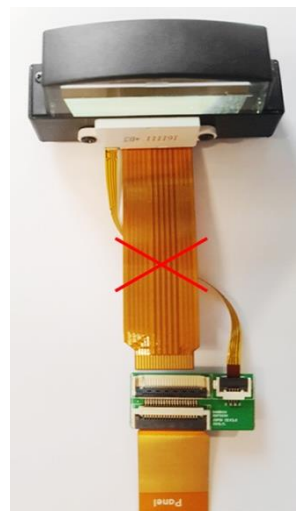
Figure 7. Panel handling note

5.3 FPC cable or FFC cable connection

Before connecting, separate the front and the back of the FPCB.



(a) FPCB Connection between panel module and FPCB Bride Board



(b) Incorrect connection

Figure 8. Cable connection

6 EXHIBIT

PLEASE READ THIS LICENSE AGREEMENT (“AGREEMENT”) CAREFULLY. THIS AGREEMENT IS A BINDING LEGAL AGREEMENT ENTERED INTO BY AND BETWEEN YOU (OR IF YOU ARE ENTERING INTO THIS AGREEMENT ON BEHALF OF AN ENTITY, THEN THE ENTITY THAT YOU REPRESENT) AND RAONTECH, INC. (“RTI” “WE” “OUR” OR “US”). THIS IS THE AGREEMENT THAT APPLIES TO YOUR USE OF THE DESIGNATED AND/OR ATTACHED DOCUMENTATION AND ANY UPDATES OR IMPROVEMENTS THEREOF (COLLECTIVELY, “MATERIALS”). BY USING OR COMPLETING THE INSTALLATION OF THE MATERIALS, YOU ARE ACCEPTING THIS AGREEMENT AND YOU AGREE TO BE BOUND BY ITS TERMS AND CONDITIONS. IF YOU DO NOT AGREE TO THESE TERMS, RTI IS UNWILLING TO AND DOES NOT LICENSE THE MATERIALS TO YOU. IF YOU DO NOT AGREE TO THESE TERMS YOU MUST DISCONTINUE AND YOU MAY NOT USE THE MATERIALS OR RETAIN ANY COPIES OF THE MATERIALS. ANY USE OR POSSESSION OF THE MATERIALS BY YOU IS SUBJECT TO THE TERMS AND CONDITIONS SET FORTH IN THIS AGREEMENT.

1.1 License. Subject to the terms and conditions of this Agreement, including, without limitation, the restrictions, conditions, limitations and exclusions set forth in this Agreement, RAONTECH, Inc. (“RTI”) hereby grants to you a nonexclusive, limited license under RTI’s copyrights to use the attached Materials; and to reproduce and redistribute a reasonable number of copies of the Materials. You may not use RAONTECH, Inc. or its affiliates or subsidiaries name, logo or trademarks; and copyright, trademark, patent and any other notices that appear on the Materials may not be removed or obscured. RTI shall be free to use suggestions, feedback or other information received from You, without obligation of any kind to You. RTI may immediately terminate this Agreement upon your breach. Upon termination of this Agreement, Sections 1.2-4 shall survive.

1.2 Indemnification. You agree to indemnify and hold harmless RTI and its officers, directors, employees and successors and assigns against any and all third party claims, demands, causes of action, losses, liabilities, damages, costs and expenses, incurred by RTI (including but not limited to costs of defense, investigation and reasonable attorney’s fees) arising out of, resulting from or related to: (i) any breach of this Agreement by You; and (ii) your acts, omissions, products and services. If requested by RTI, You agree to defend RTI in connection with any third party claims, demands, or causes of action resulting from, arising out of or in connection with any of the foregoing.

1.3 Ownership. RTI (or its licensors) shall retain title and all ownership rights in and to the Materials and all copies thereof, and nothing herein shall be deemed to grant any right to You under any of RTI’s or its affiliates’ patents. You shall not subject the Materials to any third party license terms (e.g., open source license terms). You shall not use the Materials for the purpose of identifying or providing evidence to support any potential patent infringement claim against RTI, its affiliates, or any of RTI’s or RTI’s affiliates’ suppliers and/or direct or indirect customers. RTI hereby reserves all rights not expressly granted herein.

1.4 WARRANTY DISCLAIMER. YOU EXPRESSLY ACKNOWLEDGE AND AGREE THAT THE USE OF THE MATERIALS IS AT YOUR SOLE RISK. THE MATERIALS AND TECHNICAL SUPPORT, IF ANY, ARE PROVIDED “AS IS” AND WITHOUT WARRANTY OF ANY KIND, WHETHER EXPRESS OR IMPLIED. RTI ITS LICENSORS AND AFFILIATES MAKE NO WARRANTIES, EXPRESS OR IMPLIED, WITH RESPECT TO THE MATERIALS OR ANY OTHER INFORMATION OR DOCUMENTATION PROVIDED UNDER THIS AGREEMENT, INCLUDING BUT NOT LIMITED TO ANY WARRANTY OF MERCHANTABILITY OR FITNESS FOR A PARTICULAR PURPOSE OR AGAINST INFRINGEMENT, OR ANY EXPRESS OR IMPLIED WARRANTY ARISING OUT OF TRADE USAGE OR OUT OF A COURSE OF DEALING OR COURSE OF PERFORMANCE. NOTHING CONTAINED IN THIS AGREEMENT SHALL BE CONSTRUED AS (I) A WARRANTY OR REPRESENTATION BY RTI, ITS LICENSORS OR AFFILIATES AS TO THE VALIDITY OR SCOPE OF ANY PATENT, COPYRIGHT OR OTHER INTELLECTUAL PROPERTY RIGHT OR (II) A WARRANTY OR REPRESENTATION BY RTI THAT ANY MANUFACTURE OR USE WILL BE FREE FROM INFRINGEMENT OF PATENTS, COPYRIGHTS OR OTHER INTELLECTUAL PROPERTY RIGHTS OF OTHERS, AND IT SHALL BE THE SOLE RESPONSIBILITY OF YOU TO MAKE SUCH DETERMINATION AS IS NECESSARY WITH RESPECT TO THE ACQUISITION OF LICENSES UNDER PATENTS AND OTHER INTELLECTUAL PROPERTY OF THIRD PARTIES.

1.5 LIMITATION OF LIABILITY. IN NO EVENT SHALL RTI, RTI’S AFFILIATES OR ITS LICENSORS BE LIABLE TO YOU FOR ANY INCIDENTAL, CONSEQUENTIAL OR SPECIAL DAMAGES, INCLUDING BUT NOT LIMITED TO ANY LOST PROFITS, LOST SAVINGS, OR OTHER INCIDENTAL DAMAGES, ARISING OUT OF THE USE OR INABILITY TO USE, OR THE DELIVERY OR FAILURE TO DELIVER, ANY OF THE MATERIALS, OR ANY BREACH OF ANY OBLIGATION UNDER THIS AGREEMENT, EVEN IF RTI HAS BEEN ADVISED OF THE POSSIBILITY OF SUCH DAMAGES. THE FOREGOING LIMITATION OF LIABILITY SHALL REMAIN IN FULL FORCE AND EFFECT REGARDLESS OF WHETHER YOUR REMEDIES HEREUNDER ARE DETERMINED TO HAVE FAILED OF THEIR ESSENTIAL PURPOSE. THE ENTIRE LIABILITY OF RTI, RTI’S AFFILIATES AND ITS LICENSORS, AND THE SOLE AND EXCLUSIVE REMEDY OF YOU, FOR ANY CLAIM OR CAUSE OF ACTION ARISING HEREUNDER (WHETHER IN CONTRACT, TORT, OR OTHERWISE) SHALL NOT EXCEED US\$10.

2. COMPLIANCE WITH LAWS; APPLICABLE LAW. You agree to comply with all applicable local, international and national laws and regulations and with the Republic of Korea. Export Administration Regulations, as they apply to the subject matter of this Agreement. This Agreement is governed by the laws of the Republic of Korea.

3. CONTRACTING PARTIES. If the Materials are downloaded on any computer owned by a corporation or other legal entity, then this Agreement is formed by and between RTI and such entity. The individual accepting the terms of this Agreement represents and warrants to RTI that they have the authority to bind such entity to the terms and conditions of this Agreement.

4. MISCELLANEOUS PROVISIONS. This Agreement, together with all exhibits attached hereto, which are incorporated herein by this reference, constitutes the entire agreement between RTI and You and supersedes all prior negotiations, representations and agreements between the parties with respect to the subject matter hereof. No addition or modification of this Agreement shall be effective unless made in writing and signed by the respective representatives of RTI and You. The restrictions, limitations, exclusions and conditions set forth in this Agreement shall apply even if RTI or any of its affiliates becomes aware of or fails to act in a manner to address any violation or failure to comply therewith. You hereby acknowledge and agree that the restrictions, limitations, conditions and exclusions imposed in this Agreement on the rights granted in this Agreement are not a derogation of the benefits of such rights. You further acknowledges that, in the absence of such restrictions, limitations, conditions and exclusions, RTI would not have entered into this Agreement with You. Each party shall be responsible for and shall bear its own expenses in connection with this Agreement. If any of the provisions of this Agreement are determined to be invalid, illegal, or otherwise unenforceable, the remaining provisions shall remain in full force and effect. This Agreement is entered into solely in the English language, and if for any reason any other language version is prepared by any party, it shall be solely for convenience and the English version shall govern and control all aspects : The Parties hereby confirm they have requested this Agreement and all related documents be prepared in English.